

LEDINNOVATIE B.V.B.A

Image



sales@ledinnovatie.be

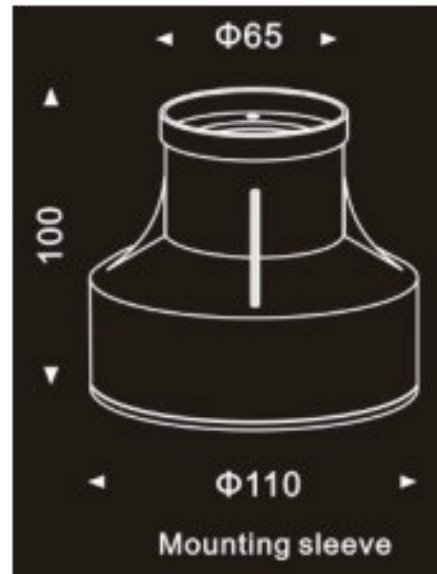
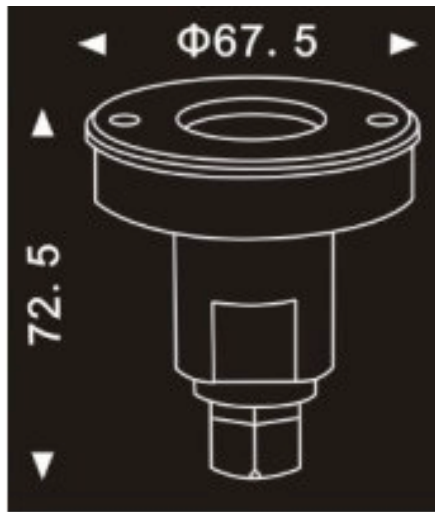
www.ledinnovatie.be

info@ledinnovatie.be

Ledinnovatie BVBA Nieuwkerkenstraat 180 9100 Nieuwkerken-Waas Belgium

LEDINNOVATIE B.V.B.A

Dimension



Specification

Product Code:	100264001
Led Brand:	Edison LED
LED Quantity:	1PC
Lifespan:	> 40000h
Power Consumption	3W
Voltage:	DC24V
IP Value:	68
Color:	Single / RGB 3in1
Beam Angle:	30°
Material:	316# Stainless Steel
Overall Length:	67,5(DIA) 85(H)mm

sales@ledinnovatie.be

www.ledinnovatie.be

info@ledinnovatie.be