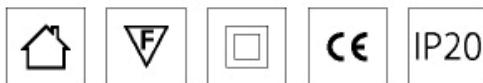
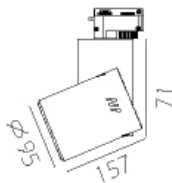
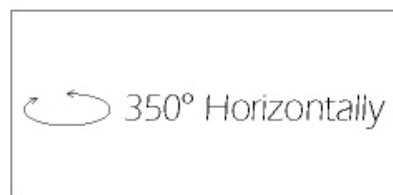
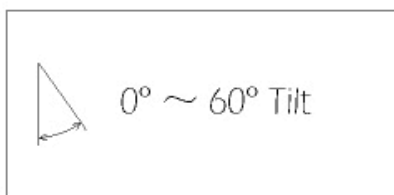


LEDINNOVATIE B.V.B.A



AC 100V-240V
Ra > 75



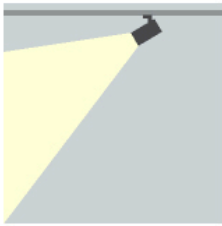
sales@ledinnovatie.be

www.ledinnovatie.be

info@ledinnovatie.be

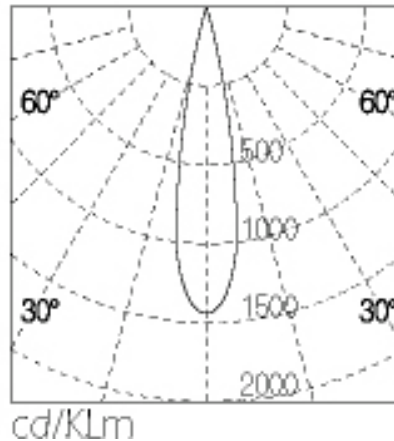
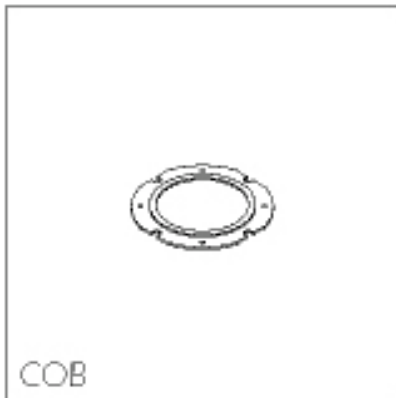
Ledinnovatie BVBA Nieuwkerkenstraat 180 9100 Nieuwkerken-Waas Belgium

LEDINNOVATIE B.V.B.A



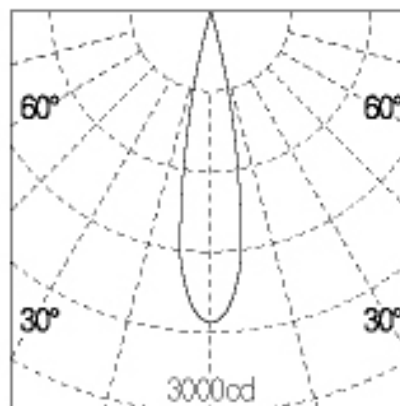
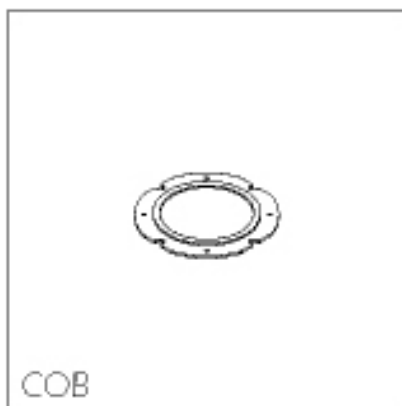
High power COB LED track light can replace the traditional halogen 75W lamps, which saves you about 70% energy. The housing is made of pure aluminum molded after extrusion, different colors are available, to meet customer's different requirements. Two and four wire track connector are optional, and different beam angle lens are available, to meet the different application environment.

15Watt



H(m)	E(lx)	D(m)
Beam Angle: 24°		
1 m	58.2 lx	0.29 m
2 m	14.5 lx	0.57 m
3 m	6.5 lx	0.86 m
4 m	3.6 lx	1.15 m
5 m	2.3 lx	1.44 m

25Watt



H(m)	E(lx)	D(m)
Beam Angle: 24°		
12W		
1 m	2391 lx	0.43 m
2 m	598 lx	0.85 m
3 m	266 lx	1.28 m
4 m	149 lx	1.70 m
5 m	96 lx	2.13 m

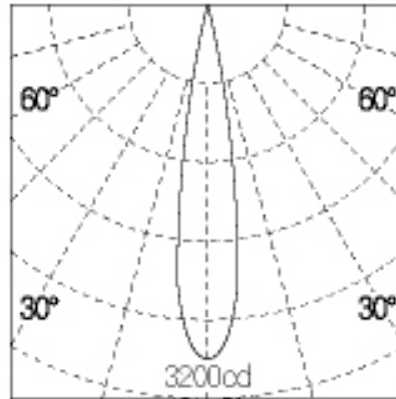
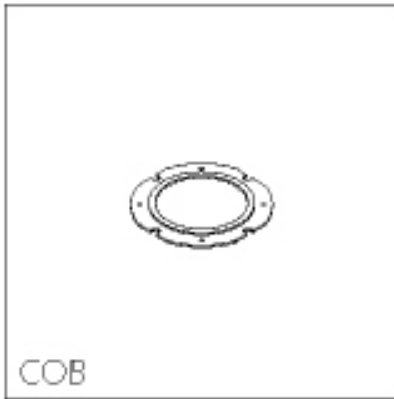
sales@ledinnovatie.be

www.ledinnovatie.be

info@ledinnovatie.be

LEDINNOVATIE B.V.B.A

30Watt



H(m)	E(lx)	D(m)
12W	Beam Angle: 24°	
1 m	3527 lx	0.43 m
2 m	881 lx	0.85 m
3 m	392 lx	1.28 m
4 m	220 lx	1.70 m
5 m	141 lx	2.13 m

Power	Current	Color	Lumen	Beam angle
15W	650mA	3000K	850lm	24°/45°
		6000K	950 lm	
25W	1250mA	3000K	1400lm	24°/45°
		6000K	1600 lm	
30W	1600mA	3000K	1700lm	24°/45°
		6000K	1900 lm	

sales@ledinnovatie.be

www.ledinnovatie.be

info@ledinnovatie.be

Ledinnovatie BVBA Nieuwkerkenstraat 180 9100 Nieuwkerken-Waas Belgium