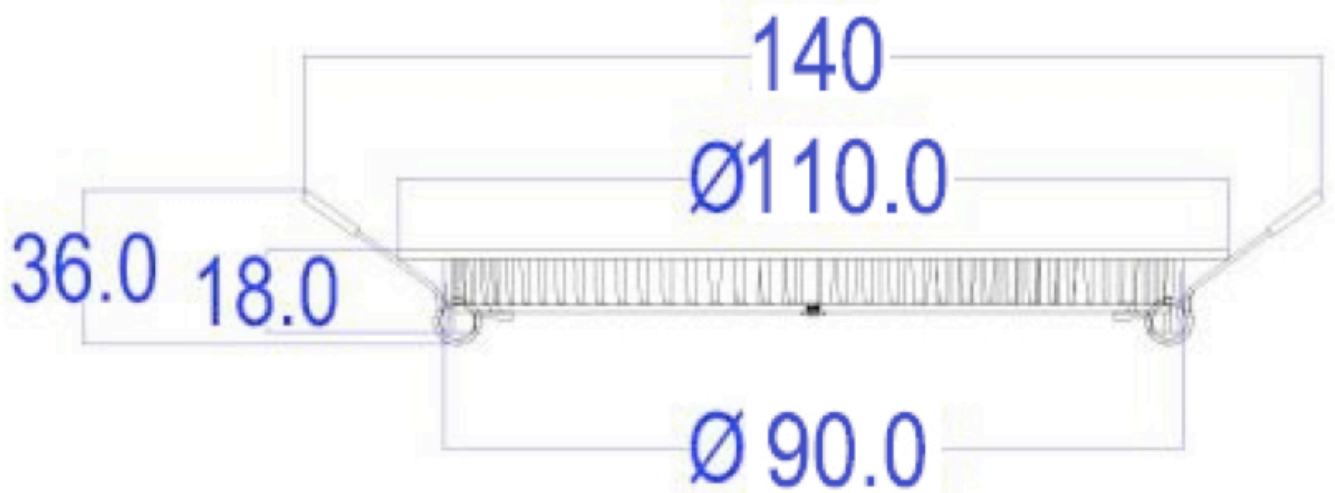


# LEDINNOVATIE B.V.B.A

---



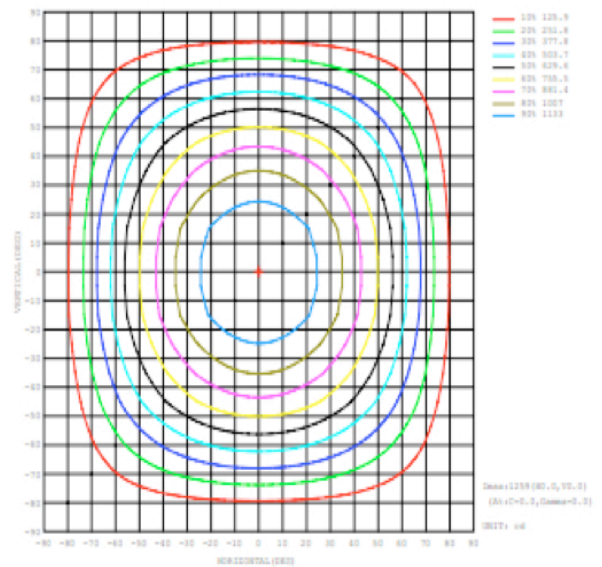
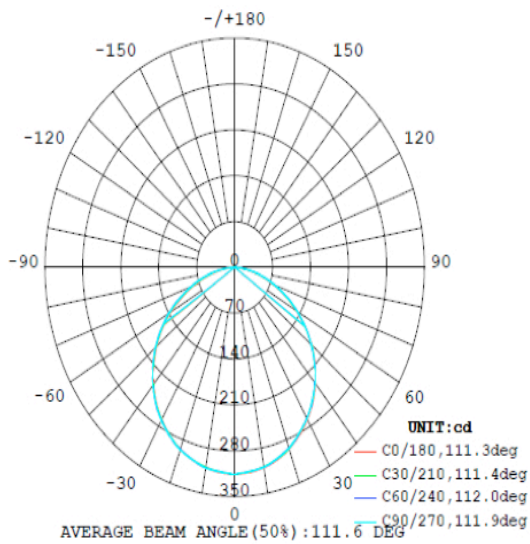
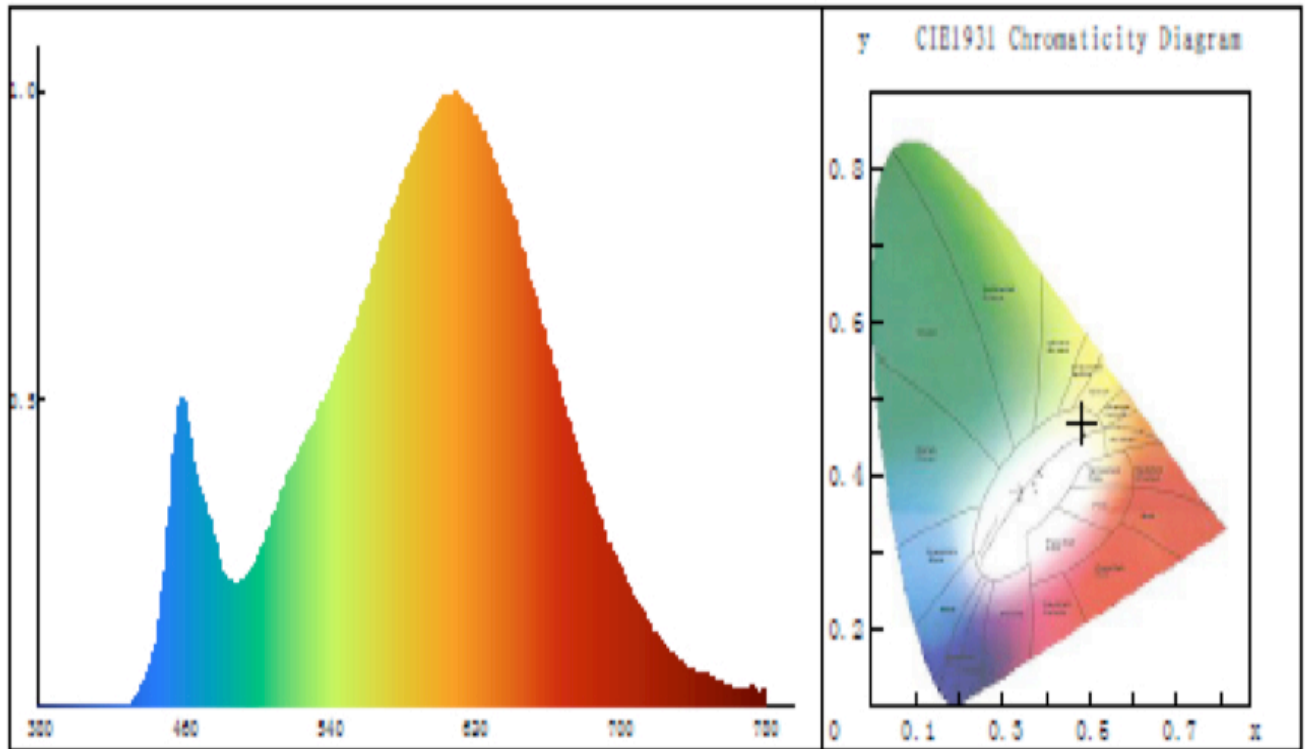
# LEDINNOVATIE B.V.B.A

---

## Specification

<b>Model</b>	04803100X
<b>Lighting source</b>	Lumenmax SMD3014 LED
<b>LED QTY</b>	60 pcs
<b>Power consumption</b>	6W
<b>Input voltage (Driver)</b>	N/A
<b>Input voltage (Lighting)</b>	24VDC
<b>Constant current</b>	300mA
<b>Efficiency</b>	≥90%
<b>PF</b>	≥0.90
<b>LED Lifespan</b>	≥ 50000H
<b>CCT</b>	3000K
<b>Luminous</b>	420lm(± 5%)
<b>Luminescence efficiency</b>	>70 lm/w
<b>Beam-angle</b>	120 °
<b>Ra</b>	Ra ≥ 80
<b>Temperature rising</b>	< 20 °C
<b>Operation temperature</b>	-40~+50°C
<b>Relative humidity</b>	10%-80%RH
<b>Fixture Material</b>	Oxidized Aluminum + High Quality PMMA (Acrylic)+PC diffuser
<b>Dimension</b>	Dia 102 x H25,5
<b>Net Weight (includes driver)</b>	0,3KG
<b>Protection grade</b>	IP44
<b>Insulation class</b>	CLASS II
<b>Environmental</b>	All materials meet with RoHS compliance
<b>Certificate</b>	CE, RoHS

# LEDINNOVATIE B.V.B.A



**LUMINOUS INTENSITY DISTRIBUTION DIAGRAM**

**ISOCANDELA DIAGRAM**