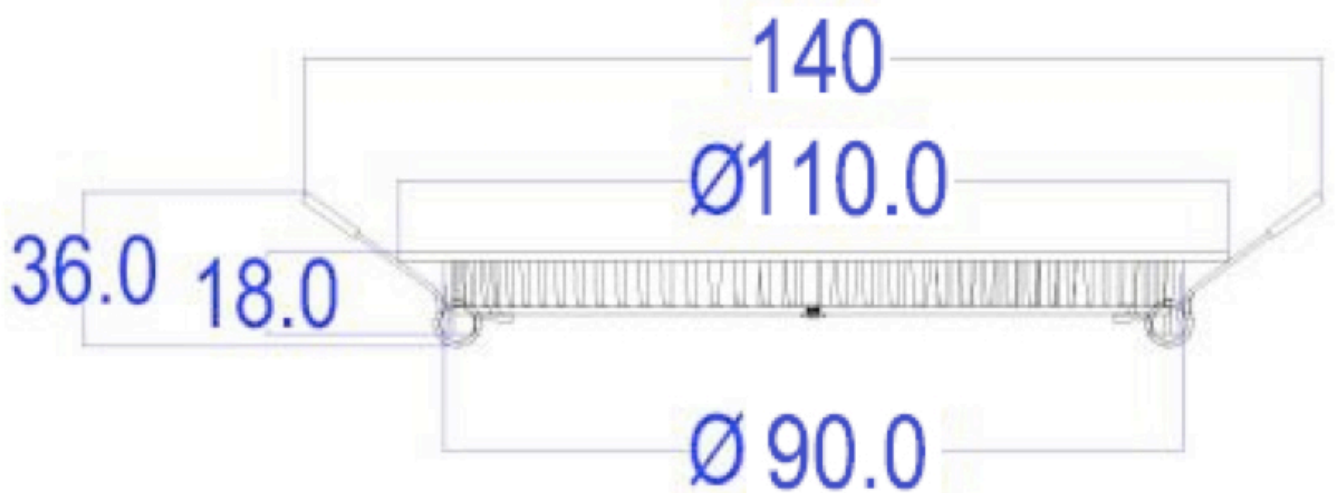


LEDINNOVATIE B.V.B.A

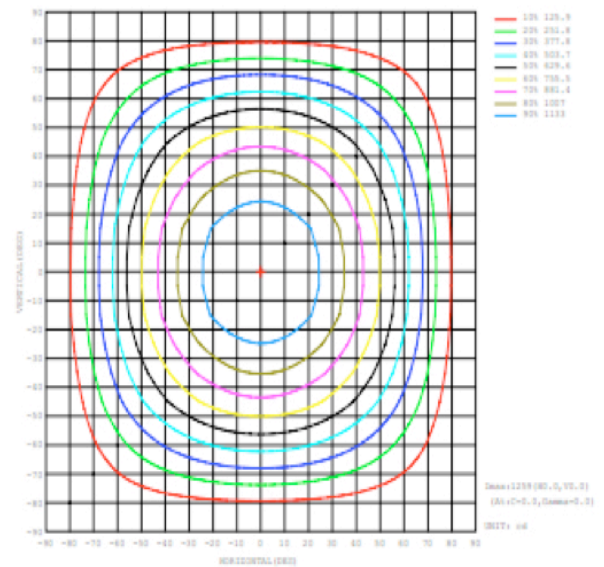
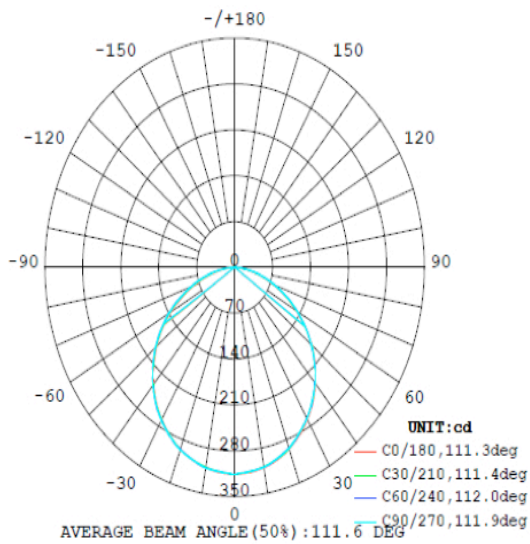
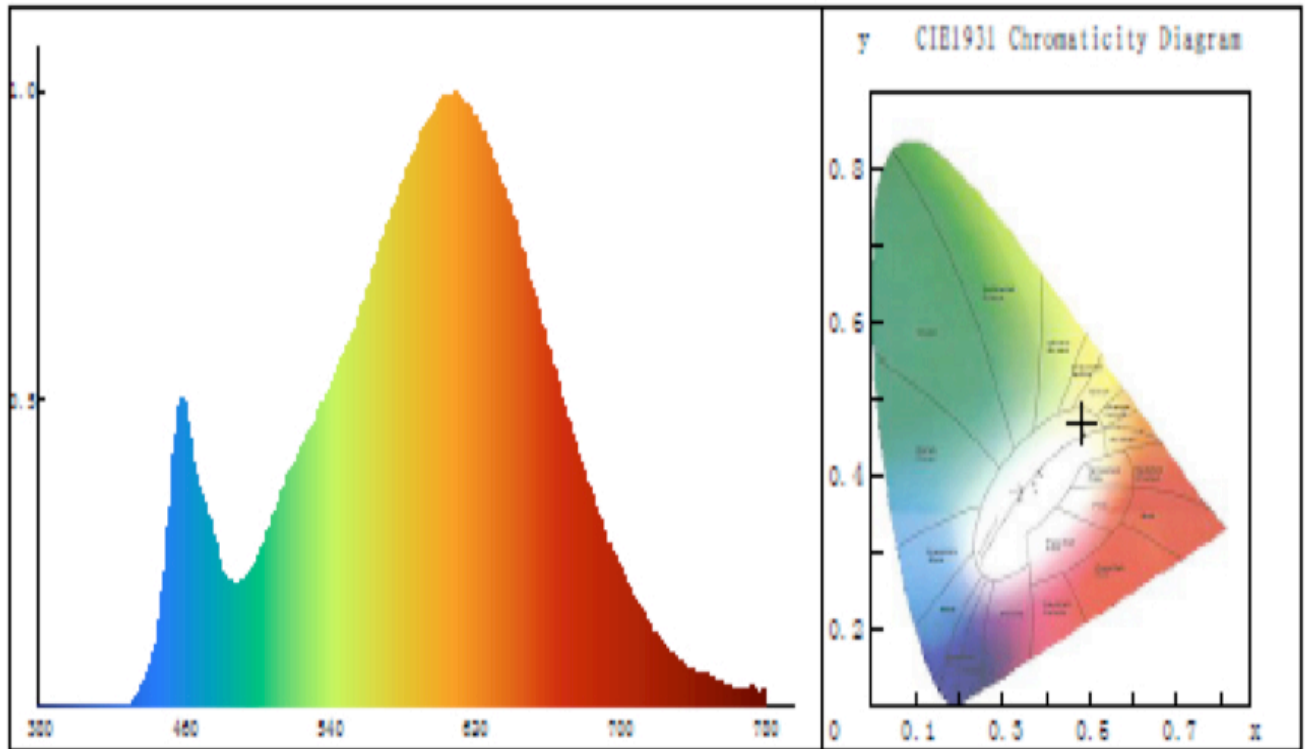


LEDINNOVATIE B.V.B.A

Specification

Model	04803100X
Lighting source	Lumenmax SMD3014 LED
LED QTY	60 pcs
Power consumption	6W (includes driver)
Input voltage (Driver)	N/A
Input voltage (Lighting)	Led driver
Constant current	300mA
Efficiency	≥90%
PF	≥0.90
LED Lifespan	≥ 50000H
CCT	3000K
Luminous	420lm(± 5%)
Luminescence efficiency	>70 lm/w
Beam-angle	120 °
Ra	Ra ≥ 80
Temperature rising	< 20 °C
Operation temperature	-40~+50°C
Relative humidity	10%-80%RH
Fixture Material	Oxidized Aluminum + High Quality PMMA (Acrylic)+PC diffuser
Dimension	Dia 102 x H25,5
Net Weight (includes driver)	0,3KG
Protection grade	IP44
Insulation class	CLASS II
Environmental	All materials meet with RoHS compliance
Certificate	CE, RoHS

LEDINNOVATIE B.V.B.A



LUMINOUS INTENSITY DISTRIBUTION DIAGRAM

ISOCANDELA DIAGRAM