

LED HIGH BAY LIGHT SERIES



80W LED HIGH BAY

Product Manual

I . Introduction

Materials

Patented fin aluminium heatsink structure; High quality aluminium processing technique; Special surface treatment process; High brightness LED light source, high efficiency and long life power supply.

Applications

Suitable for Warehouses, Production and logistics workshops, Retail stores, Theme restaurants, Amusement parks, Indoor stadiums and public places, and other industrial and commercial lighting purposes.

Features

- * Unique patented thermal management design to ensure low LED junction temperature.
- * Extremely light weight for safety use and installation.
- * Ultra high power to give ultra high brightness.
- * Easy installation and maintenance, dust prevention, longer lifetime with high lumen maintenance.
- * Energy savings, no UV and IR radiations, emits low heat.

Structure

* Unique fin aluminium heatsink greatly reduce product weight and guarantee the safety usage, as well as to avoid the material wastage comparing with conventional die-cast or extrusion heatsinks.

* By increasing the number of fins to enlarge the area of heat dissipation and air flow, this new heatsink significantly increase the efficiency of thermal conduction with less material usage and more saving on energy. It is the best solution of LED high bay lights.

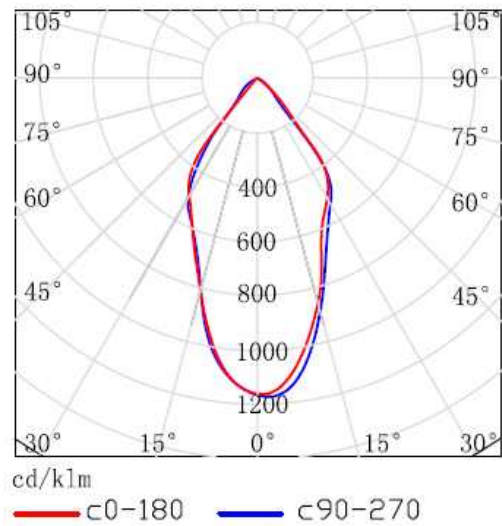
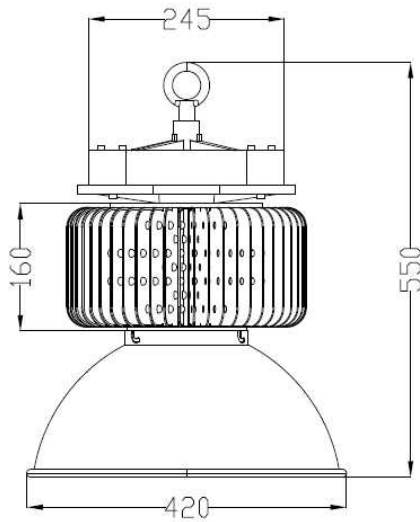
II . Specification

Input Voltage	AC90V-264V	
Current Frequency	50HZ-60HZ	
LED Light Source	Philips Lumileds (LUXEON Rebel)	
LED Qty	40 pcs	
LED Power	80W	
Total System Power	90 W	
Led Luminous Efficiency	100-120lm /W	
Led Initial Luminous Flux	7000 Lm	
Average Illuminance (80 /100 degree reflector)	6M	260 / 103 lux
	8M	146 / 58 lux
	10M	93 / 37 lux
Illuminance Area (80 /100 degree reflector)	6M	Φ 10.1M / 20.8M
	8M	Φ 13.4M / 27.7M
	10M	Φ 16.8M / 34.6M
Illuminance Uniformity	>0.8	
Color Temperature	4000K-7000K	
Color Rendering Index	Typ. 70	
Light Distribution	symmetric /circle spread	
Illuminance Design	LED+Reflector	
LED Junction Temperature	≤60℃ (@ Ta=30℃)	
Working Temperature	-25℃ ~ 45℃	
Storage Temperature	-25℃ ~ +65℃ (Best 25℃)	
IP Rating	IP40 / IP65	
Net weight	7.0 Kg	
Life-span	>50000H	
Power Cord	0.75mm ² triple shield wire	
Connecting Wire	L live	
	N Neutral	
	G Earth	
Certificate	CE ; RoHS ; UL (Power supply only)	
Light Fixture Color	Silver	

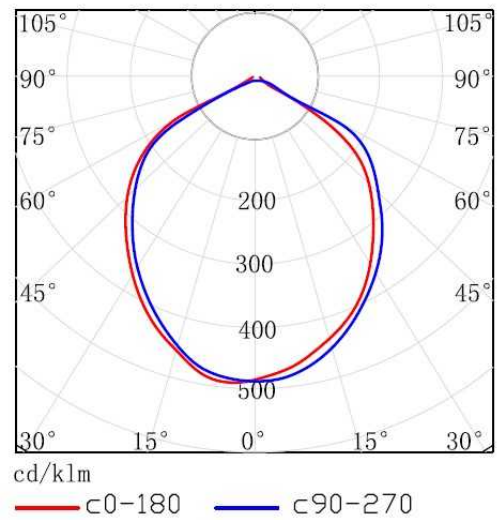
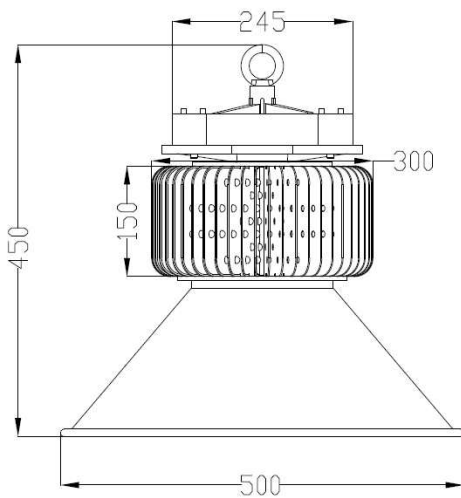
Remark: The light parameters may differ between different color temperature, tolerances $\leq 5\%$.

2、 Product Dimension & Photometric Distribution:

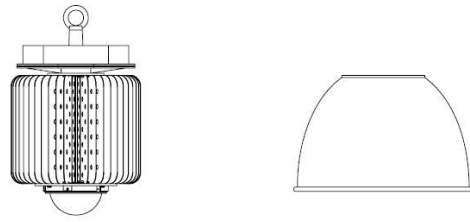
1). Beam angle 80 degree



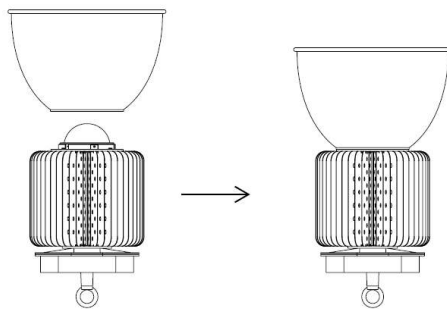
2). Beam angle 120 degree



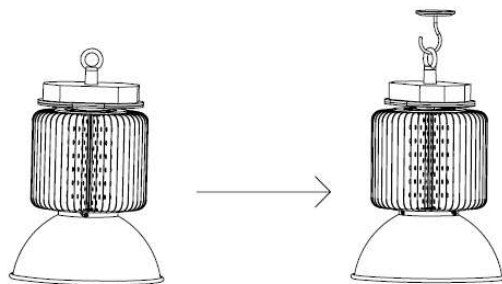
III. Installation Diagram



1. Take out the lamp body and reflector from packing boxes.



2. Fix the reflector on lamp body and screw tight.



3. Hang up the light on hook and keep stable placement. For safety, make sure the power cables are connected by electricians. The power cord is 0.75-1MM² three-core cable wiring, the red is live wire, blue is neutral wire, and yellow is earth wire.

Maintenance / Repairing Instructions:

- 1、 Make sure the power has been turned off before maintenance or repairing.
- 2、 Clean the lens cover regularly to maintain high transmission of light.
- 3、 Clean up the dust from the reflector and heatsink regularly to keep sound heat dispersio
- 4、 Be careful not to use water or corrosive solution for cleaning, preferably with a dry cl

5、 When install or replace power supply, directly open the back cover with a screwdriver, then remove the power supply. There are three-core cables of AC power, red corresponds to the power of "L", blue to "N", and green or yellow to " \perp " .

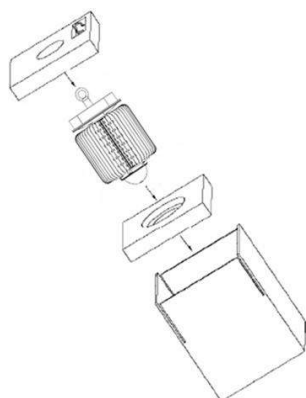
On DC power output, the red cable corresponds to the positive power polarity, and black corresponds to the negative. Pay attention do not reverse the positive and the negative in any circumstance.

IV. Package

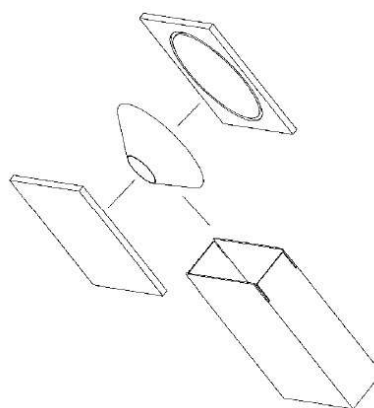
1、 Packing Size, weight.

Lamp packing size(W ,L,H) /1pc	380*380*460 mm
Reflector 80/120 degree packing size (W ,L,H) /5pcs	410*410*370 mm / 530*530*260mm
Lamp net weight	5.7 kg
Lamp gross weight (1pc/carton)	7.5 kg
Reflector net weight 80/100 degree (5pcs)	3.0kg / 2.6kg
Reflector gross weight 80/100 degree (5pcs/carton)	3.6kg / 3.2kg

2、 Packing diagram



1. Lamp packing diagram



2、 Reflector packing diagram