

LED HIGH BAY LIGHT SERIES



350W LED HIGH BAY

Product Manual

I . Introduction

Materials

Patented fin aluminium heatsink structure; High quality aluminium processing technique; Special surface treatment process; High brightness LED light source, high efficiency and long life power supply.

Applications

Suitable for Warehouses, Production and logistics workshops, Retail stores, Theme restaurants, Amusement parks, Indoor stadiums and public places, and other industrial and commercial lighting purposes.

Features

- * Unique patented thermal management design to ensure low LED junction temperature.
- * Extremely light weight for safety use and installation.
- * Ultra high power to give ultra high brightness.
- * Easy installation and maintenance, dust prevention, longer lifetime with high lumen maintenance.
- * Energy savings, no UV and IR radiations, emits low heat.
- * Wide range of operating temperature (-30°C to $+50^{\circ}\text{C}$).

Structure

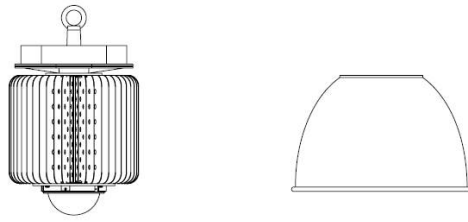
* Unique fin aluminium heatsink greatly reduce product weight and guarantee the safety usage, as well as to avoid the material wastage comparing with conventional die-cast or extrusion heatsinks.

* By increasing the number of fins to enlarge the area of heat dissipation and air flow, this new heatsink significantly increase the efficiency of thermal conduction with less material usage and more saving on energy. It is the best solution of LED high bay lights.

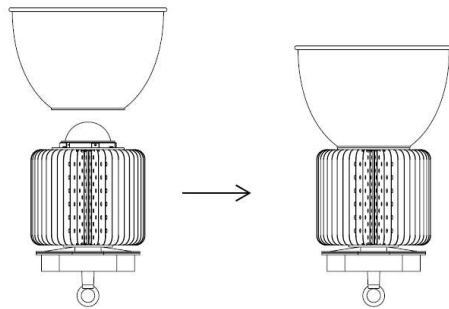
II . Specification

| | | |
|---|--|----------------|
| Input Voltage | AC90V-264V | |
| Current Frequency | 50HZ-60HZ | |
| LED Light Source | Philips Lumileds (LUXEON Rebel ES) | |
| LED Qty | 182 pcs | |
| LED Power | 350W | |
| Total System Power | 390 W | |
| Led Luminous Efficiency | 100-120lm /W | |
| Led Initial Luminous Flux | 32500 Lm | |
| Average Illuminance (80 / 100 degree beam angle) | 6M | 1090 / 716 Lux |
| | 8M | 615 / 403 Lux |
| | 10M | 392 / 259 Lux |
| Illuminance Area (80 / 100 degree beam angle) | 6M | Φ 10.1M /14.3M |
| | 8M | Φ 13.4M/ 19.1M |
| | 10M | Φ 16.8M/ 23.9M |
| Illuminance Uniformity | >0.8 | |
| Color Temperature | 4000K-7000K | |
| Color Rendering Index | Typ. 70 | |
| Light Distribution | symmetric /circle spread | |
| Illuminance Design | LED+Reflector | |
| LED PCB Temperature | ≤60℃ (@ Ta=30℃) | |
| Working Temperature | -25℃ ~ 40℃ | |
| Storage Temperature | -25℃ ~ +65℃ (Best 25℃) | |
| IP Rating | IP40/ IP65 | |
| Net weight | 15.0 Kg | |
| Life-span | >50000H | |
| Power Cord | 0.75mm ² triple shield wire | |
| Connecting Wire | L Live | |
| | N Neutral | |
| | G Earth | |
| Certificate | CE ; RoHS; UL (Power supply only) | |
| Light Fixture Color | Silver | |

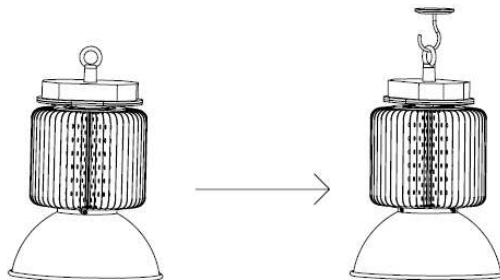
III. Installation Diagram



1. Take out the lamp body and reflector from packing boxes.



2. Fix the reflector on lamp body and screw tight.



3. Hang up the light on hook and keep stable placement. For safety, make sure the products are installed by electricians. The power cord is 0.75-1MM² three-core cable wiring, the red is live wire, blue is neutral wire, and yellow is earth wire.

Maintenance / Repairing Instructions:

- 1、 Make sure the power has been turned off before maintenance or repairing.
- 2、 Clean the lens cover regularly to maintain high transmission of light.
- 3、 Clean up the dust from the reflector and heatsink regularly to keep sound heat dispersio
- 4、 Be careful not to use water or corrosive solution for cleaning, preferably with a dry cl

5、 When install or replace power supply, directly open the back cover with a screwdriver, then remove the power supply. There are three-core cables of AC power, red corresponds to the power of "L", blue to "N", and green or yellow to " " .

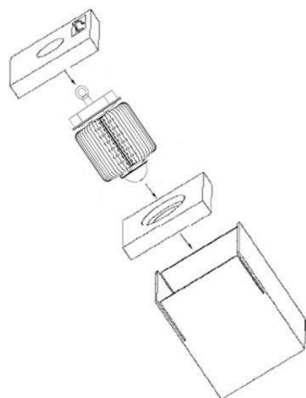
On DC power output, the red cable corresponds to the positive power polarity, and black corresponds to the negative. Pay attention do not reverse the positive and the negative in any circumstance.

IV. Package

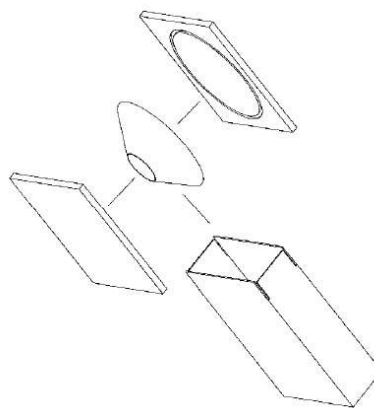
1、 Packing Size, weight.

| | |
|---|--------------------------------|
| Lamp packing size(W ,L,H) /1pc | 440*440*650 mm |
| Reflector 80/100 degree packing size (W ,L,H) /5pcs | 410*410*370 mm / 640*640*300mm |
| Lamp net weight | 14.5 kg |
| Lamp gross weight (1pc/carton) | 16.5 kg |
| Reflector net weight 80/100 degree (5pcs) | 3.0 kg/ 4.5kg |
| Reflector gross weight 80/100 degree (5pcs/carton) | 3.6kg/ 5.5kg |

2、 Packing diagram



1. Lamp packing diagram



2、 Reflector packing diagram