

LED HIGH BAY LIGHT SERIES



250W LED HIGH BAY

Product Manual

I . Introduction

Materials

Patented fin aluminium heatsink structure; High quality aluminium processing technique; Special surface treatment process; High brightness LED light source, high efficiency and long life power supply.

Applications

Suitable for Warehouses, Production and logistics workshops, Retail stores, Theme restaurants, Amusement parks, Indoor stadiums and public places, and other industrial and commercial lighting purposes.

Features

- * Unique patented thermal management design to ensure low LED junction temperature.
- * Extremely light weight for safety use and installation.
- * Ultra high power to give ultra high brightness.
- * Easy installation and maintenance, dust prevention, longer lifetime with high lumen maintenance.
- * Energy savings, no UV and IR radiations, emits low heat.

Structure

* Unique fin aluminium heatsink greatly reduce product weight and guarantee the safety usage, as well as to avoid the material wastage comparing with conventional die-cast or extrusion heatsinks.

* By increasing the number of fins to enlarge the area of heat dissipation and air flow, this new heatsink significantly increase the efficiency of thermal conduction with less material usage and more saving on energy. It is the best solution of LED high bay lights.

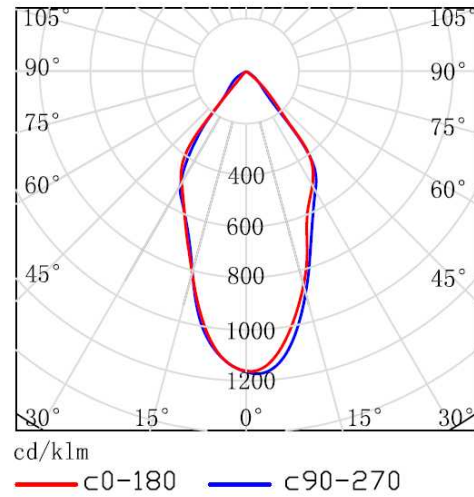
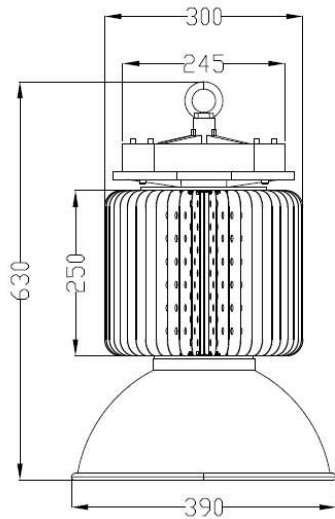
II . Specification

Input Voltage		AC90V-264V
Current Frequency		50HZ-60HZ
LED Light Source		Philips Lumileds (LUXEON Rebel)
LED Qty		120 pcs
LED Power		250W
Total System Power		275 W
Led Luminous Efficiency		100-120lm /W
Led Initial Luminous Flux		21600 Lm
Average Illuminance (80 /100 degree reflector)	6M	727 / 477 lux
	8M	410 / 268 lux
	10M	261 / 172 lux
Illuminance Area (80 /100 degree reflector)	6M	Φ 10.1M /14.3M
	8M	Φ 13.4M/ 19.1M
	10M	Φ 16.8M/ 23.9M
Illuminance Uniformity		>0.8
Color Temperature		4000K-7000K
Color Rendering Index		Typ. 70
Light Distribution		symmetric /circle spread
Illuminance Design		LED+Reflector
LED Junction Temperature		≤65℃ (@ Ta=30℃)
Working Temperature		-25℃ ~ 45℃
Storage Temperature		-25℃ ~ +65℃ (Best 25℃)
IP Rating		IP40 / IP65
Net weight		9.0 Kg
Life-span		>50000H
Power Cord		0.75mm ² triple shield wire
Connecting Wire		L Live
		N Neutral
		G Earth
Certificate		CE ; RoHS; UL (Power supply only)
Light Fixture Color		Silver

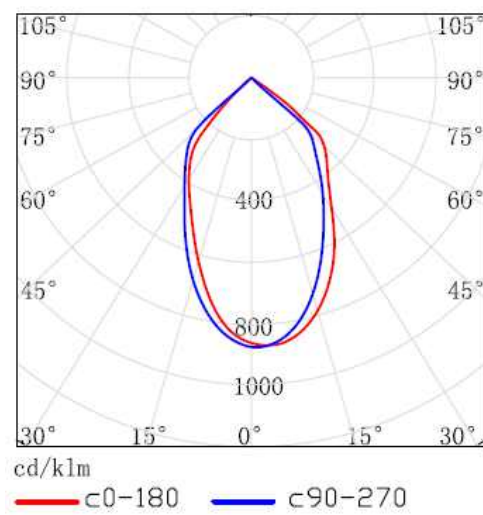
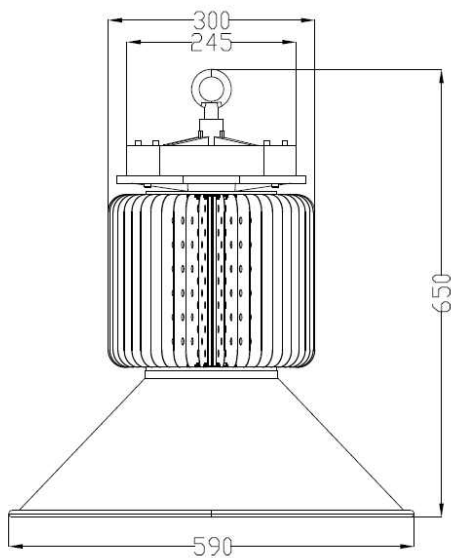
Remark: The light parameters may differ between different color temperature, tolerances $\leq 5\%$.

2、 Product Dimension & Photometric Distribution:

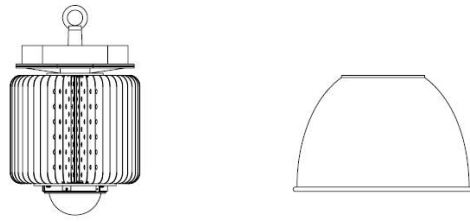
1). Beam angle 80 degree



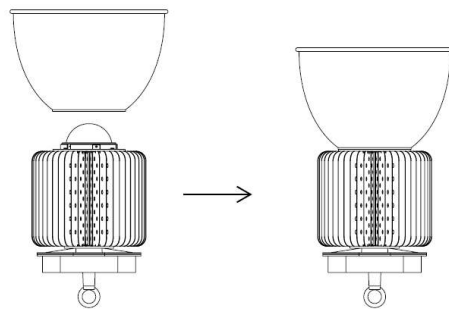
2). Beam angle 100 degree



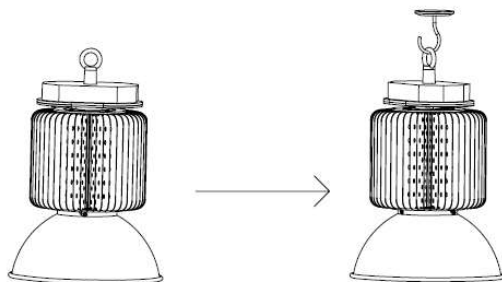
III. Installation Diagram



1. Take out the lamp body and reflector from packing boxes.



2. Fix the reflector on lamp body and screw tight.



3. Hang up the light on hook and keep stable placement. For safety, make sure the power cables are connected by electricians. The power cord is 0.75-1MM² three-core cable wiring, the red is live wire, blue is neutral wire, and yellow is earth wire.

Maintenance / Repairing Instructions:

- 1、 Make sure the power has been turned off before maintenance or repairing.
- 2、 Clean the lens cover regularly to maintain high transmission of light.
- 3、 Clean up the dust from the reflector and heatsink regularly to keep sound heat dispersio
- 4、 Be careful not to use water or corrosive solution for cleaning, preferably with a dry cl

5、 When install or replace power supply, directly open the back cover with a screwdriver, then remove the power supply. There are three-core cables of AC power, red corresponds to the power of "L", blue to "N", and green or yellow to " " .

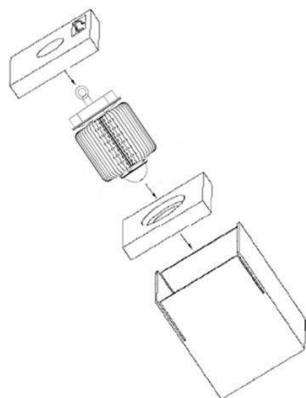
On DC power output, the red cable corresponds to the positive power polarity, and black corresponds to the negative. Pay attention do not reverse the positive and the negative in any circumstance.

IV. Package

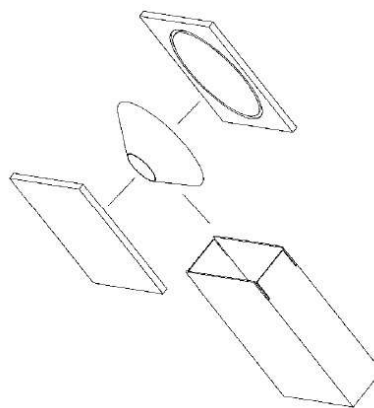
1、 Packing Size, weight.

Lamp packing size(W ,L,H) /1pc	380*380*550 mm
Reflector 80/100 degree packing size (W ,L,H) /5pcs	410*410*370 mm / 640*640*300mm
Lamp net weight	8.5 kg
Lamp gross weight (1pc/carton)	9.5kg
Reflector net weight 80/100 degree (5pcs)	3.0 kg/ 4.5kg
Reflector gross weight 80/100 degree (5pcs/carton)	3.6kg/ 5.5kg

2、 Packing diagram



1. Lamp packing diagram



2、 Reflector packing diagram